

A

B

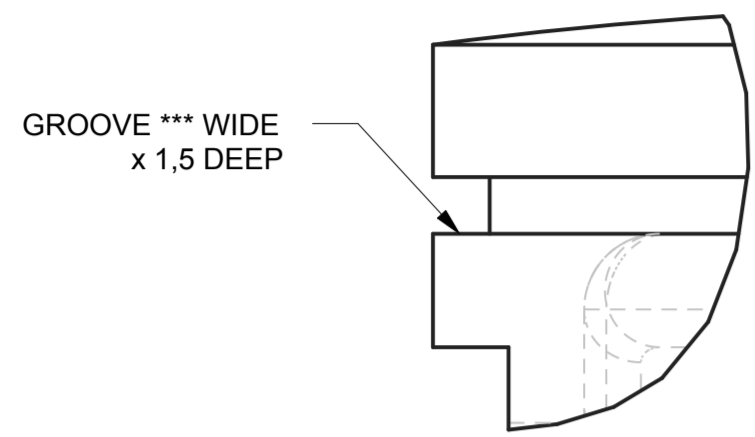
C

D

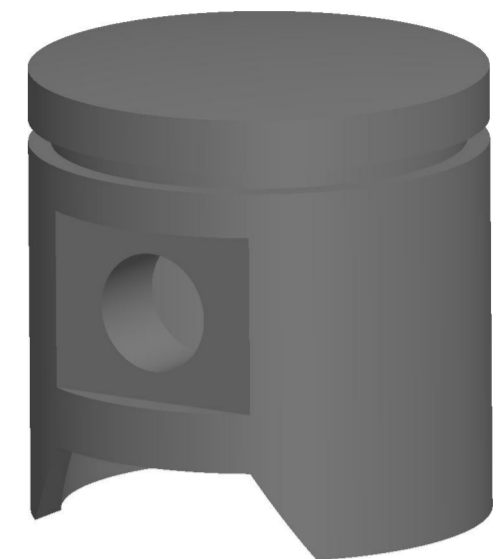
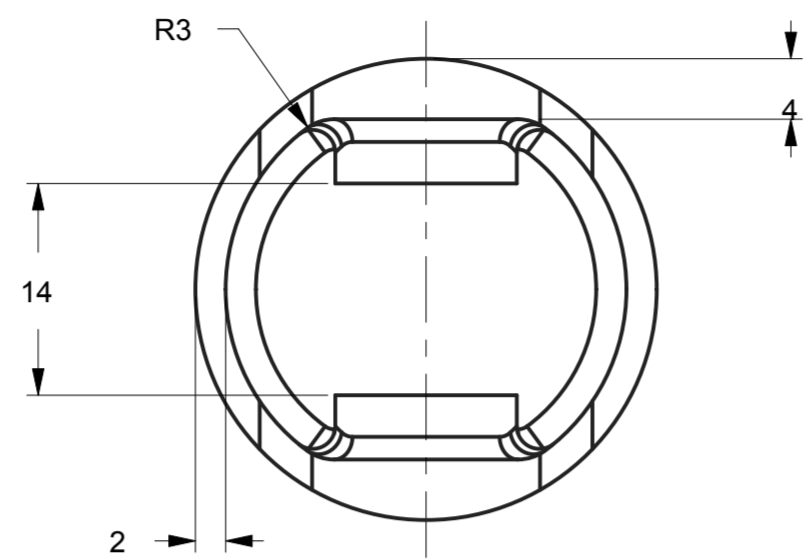
E

F

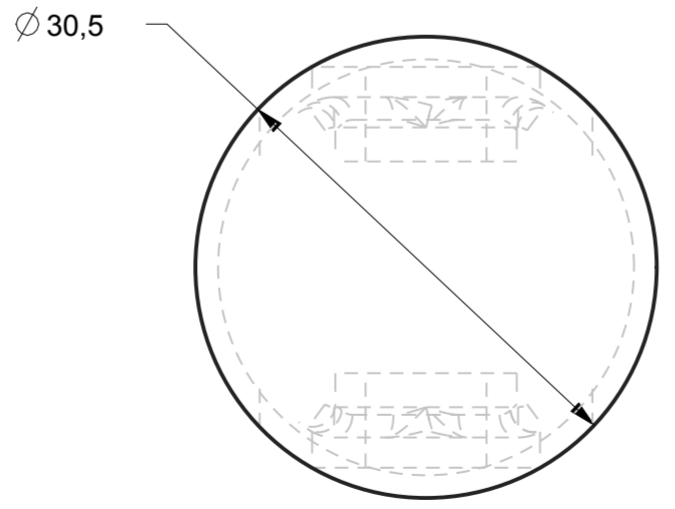
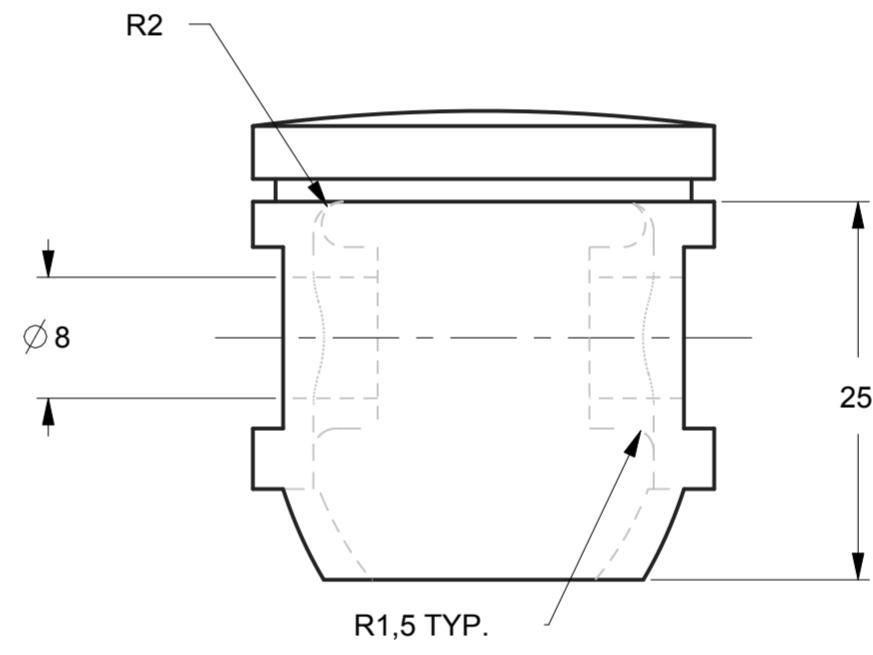
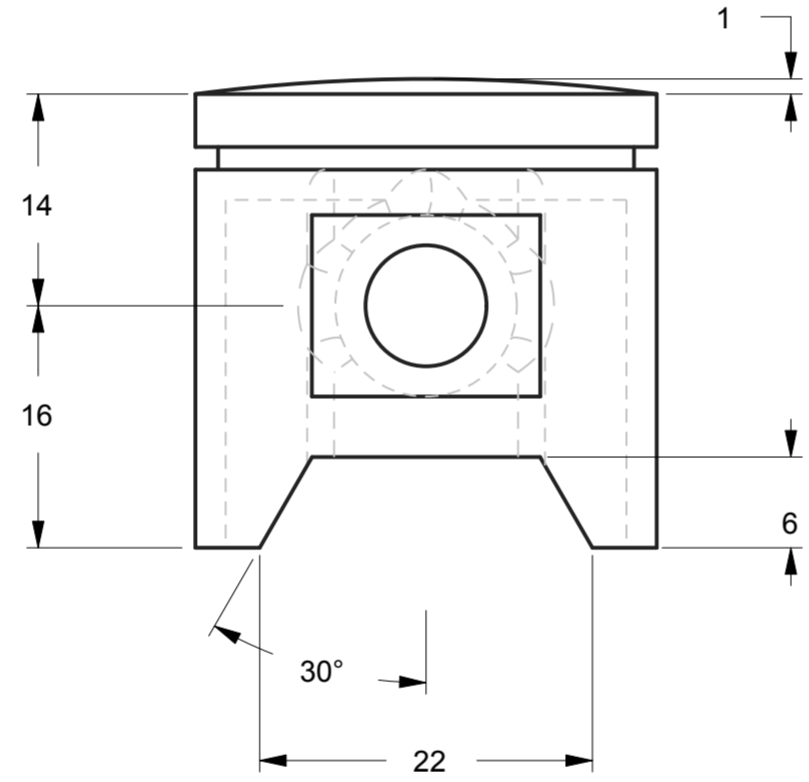
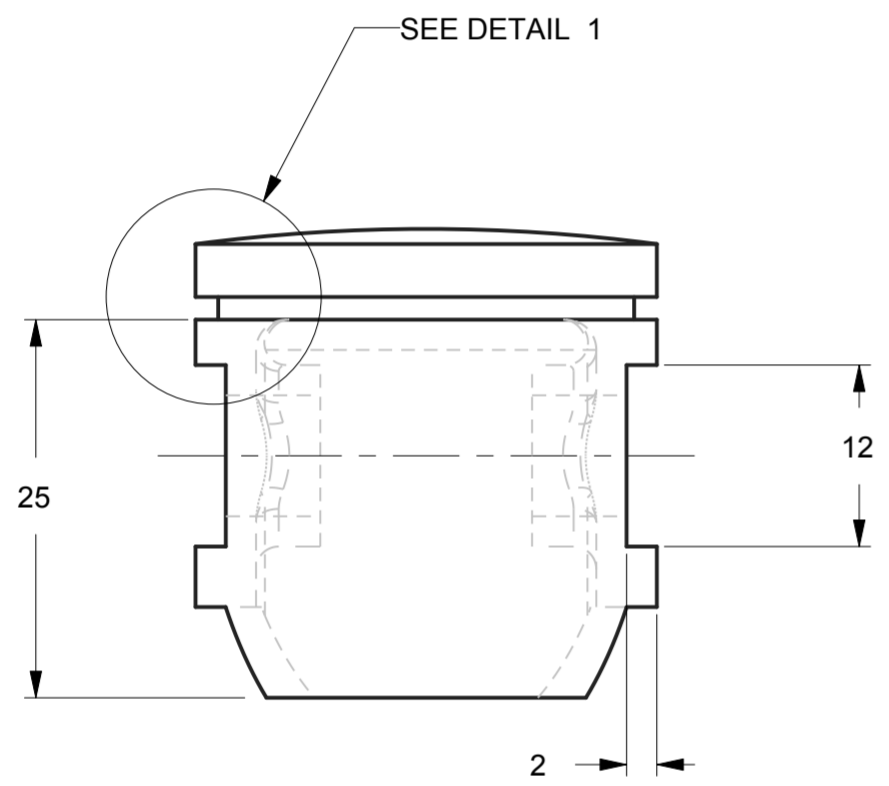
G



DETAIL 1
SCALE 5:1



SCALE 2:1



GENERAL TOLERANCES UNLESS NOTED

Tolerance Standard: ISO
Model Class: MEDIUM

DRAWN Simon DATE 31-Mar-08

CHECKED DATE

APPROVED DATE

PTC NEEDHAM, MA

MODEL PISTON

SIZE A2 DRAWING NAME PISTON

SCALE 2:1 TYPE PART SHEET 1/1