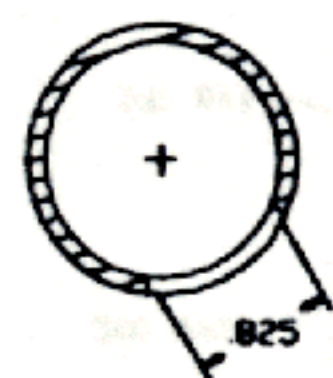
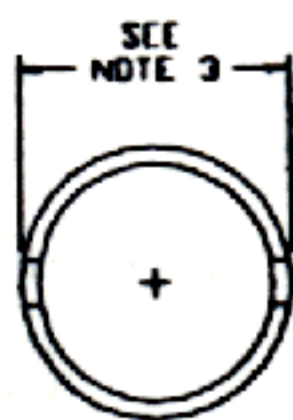
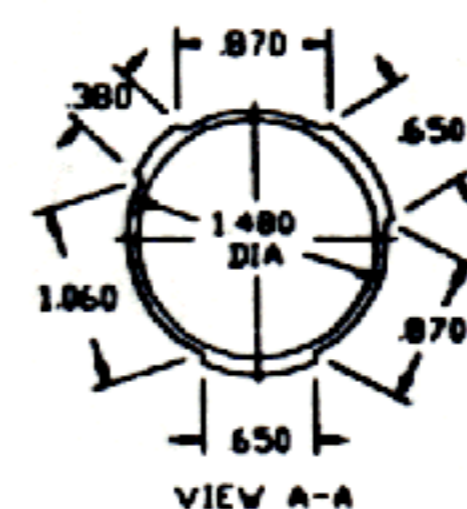
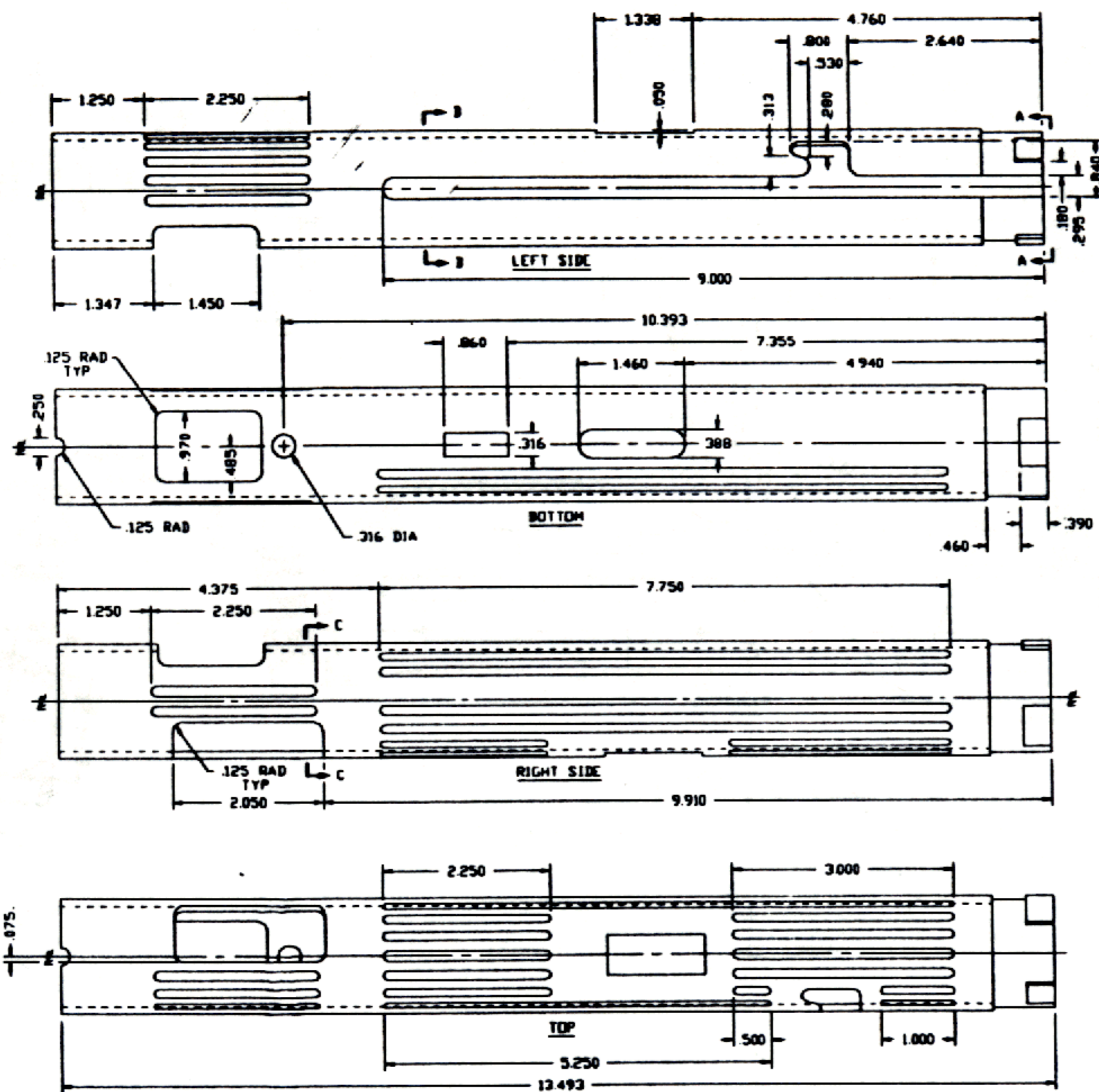


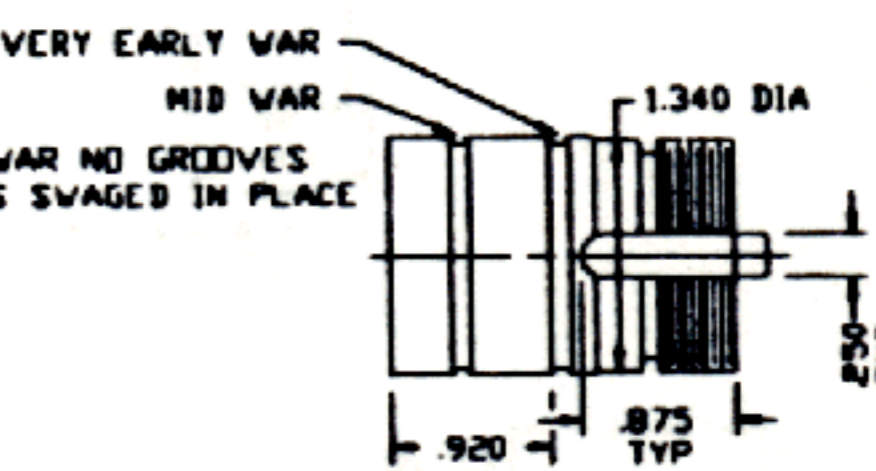
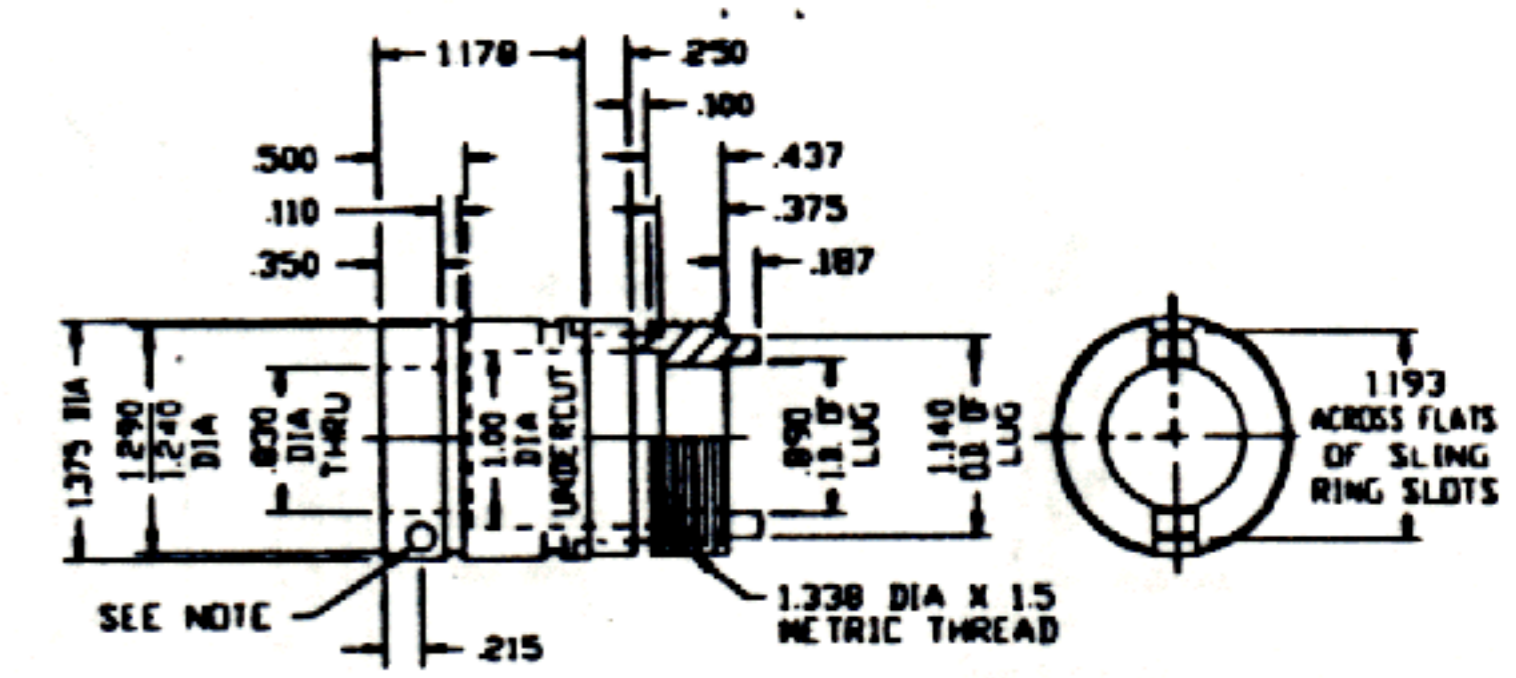
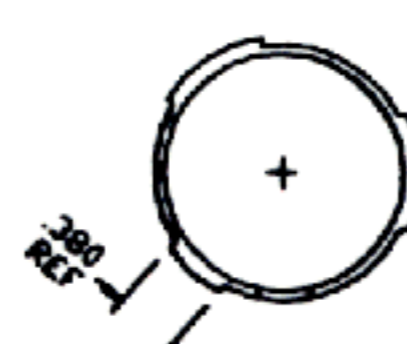
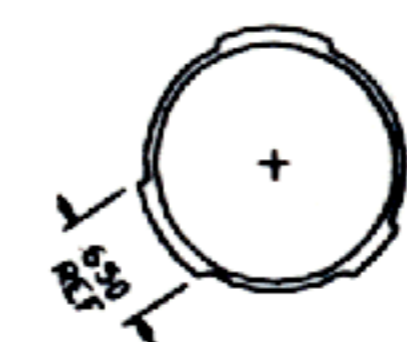
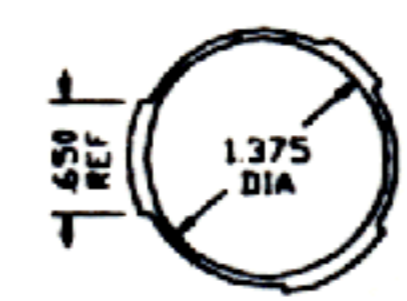
SECTION B-B



SECTION C-C

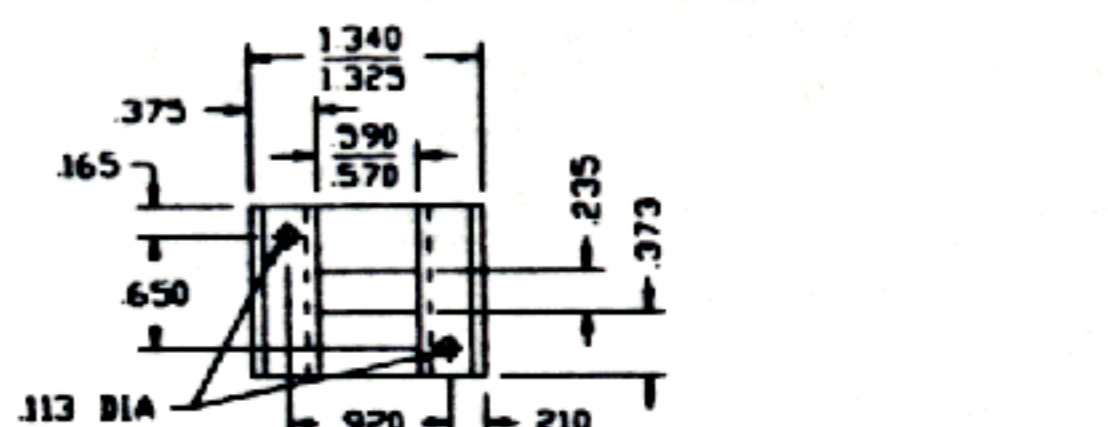


VIEW A-A

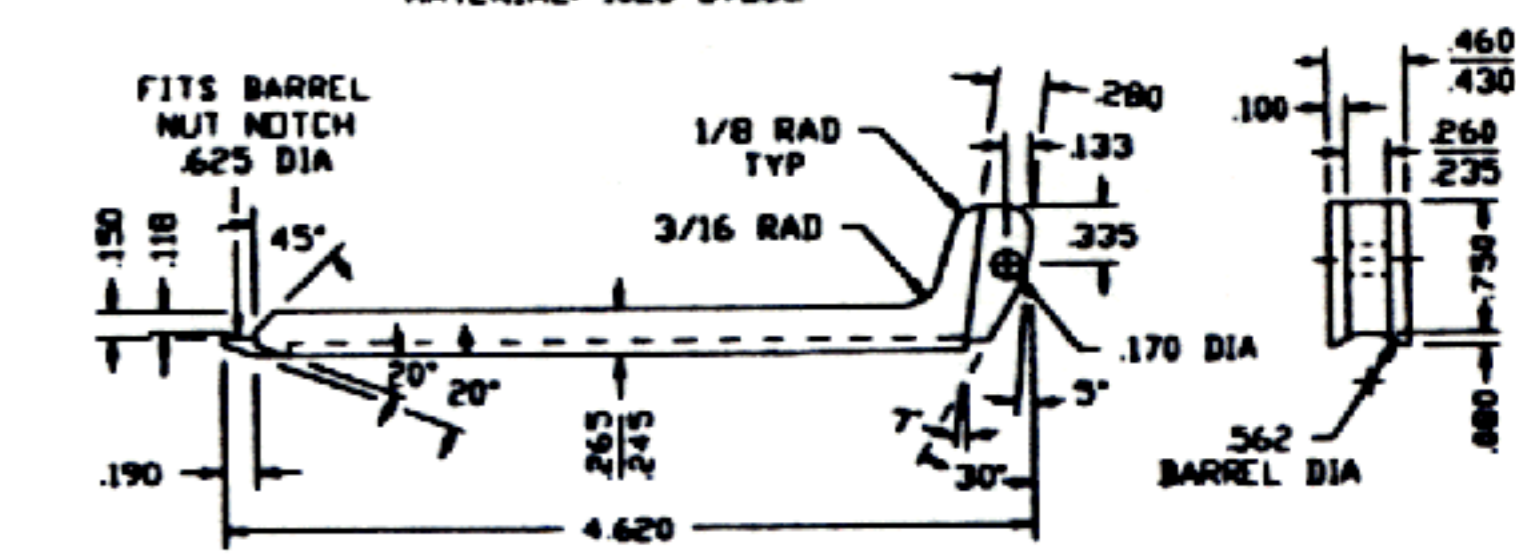


NOTE: HOLE IN MAGAZINE HOUSING IS THE FACTOR WHEN ASSEMBLED CROSS HOLE CHECKS ABOUT .215 THIS IS THE LAST HOLE TO BRILL AND AT ASSEMBLY.

BARREL BUSHING MATERIAL: 1020 STEEL



REAR SIGHT BASE MATERIAL: 1020 STEEL



EARLY GUNS MATERIAL WAS ALUMINUM FEW WERE STAMPED SHEET STEEL LATE GUNS MATERIAL WAS BAKELITE OR SIMILAR

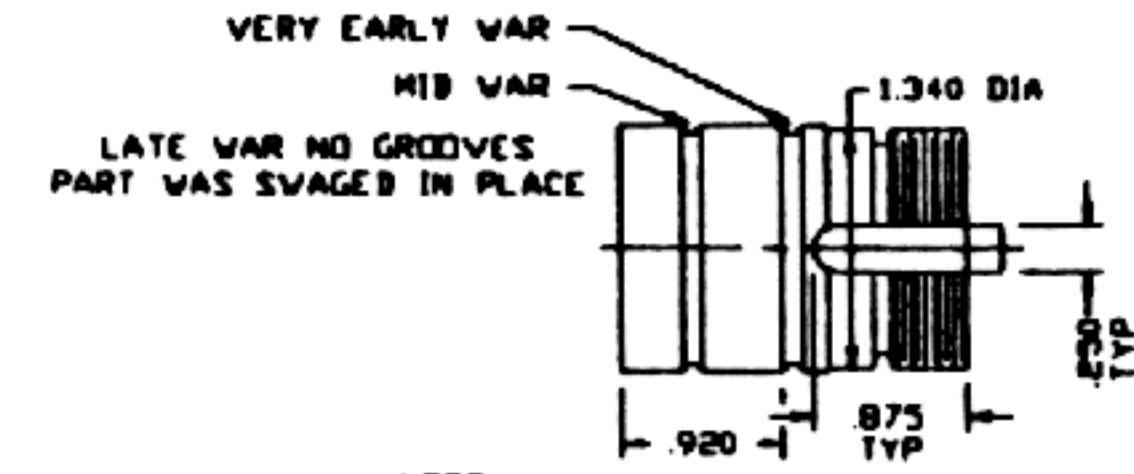
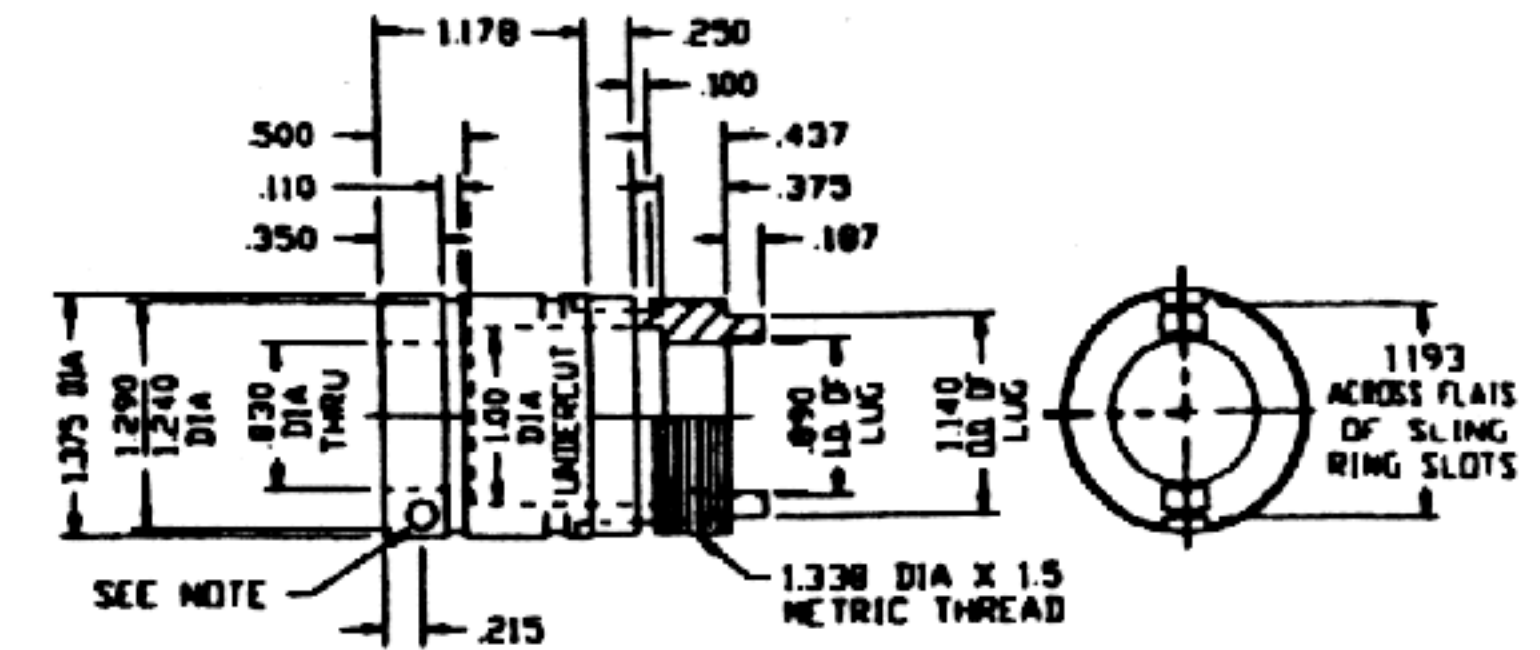
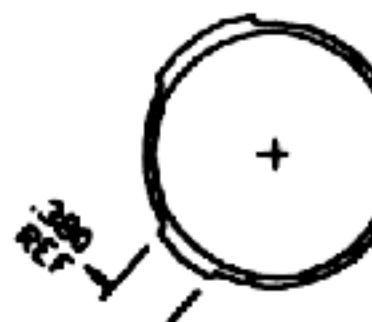
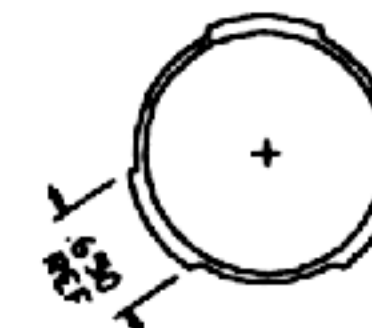
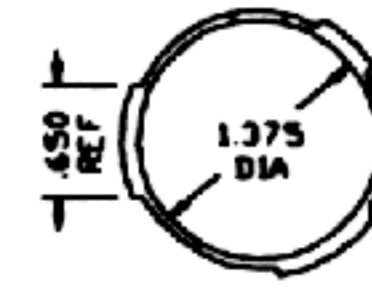
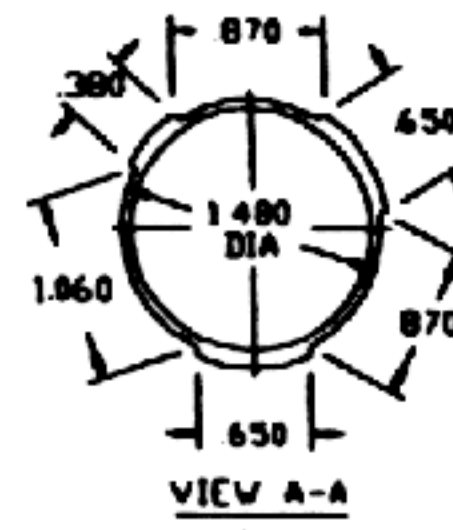
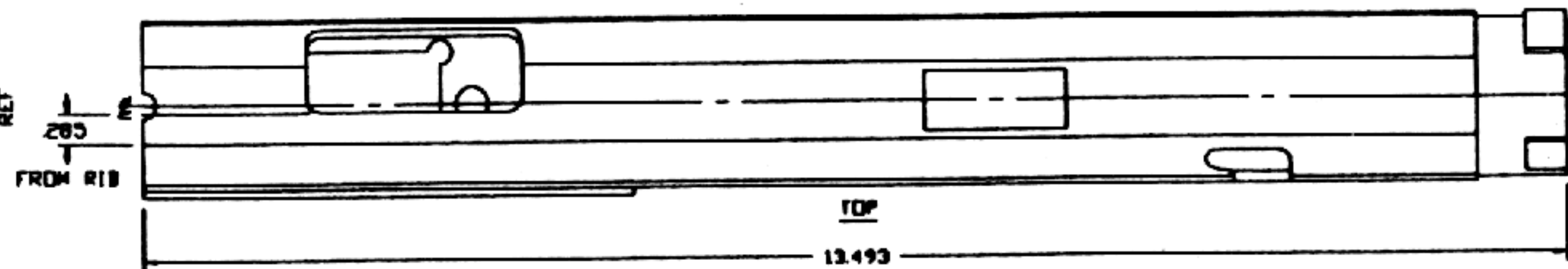
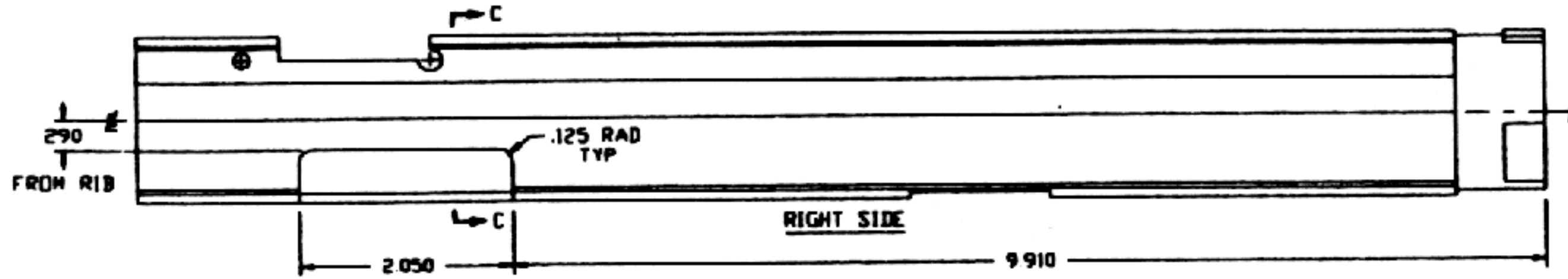
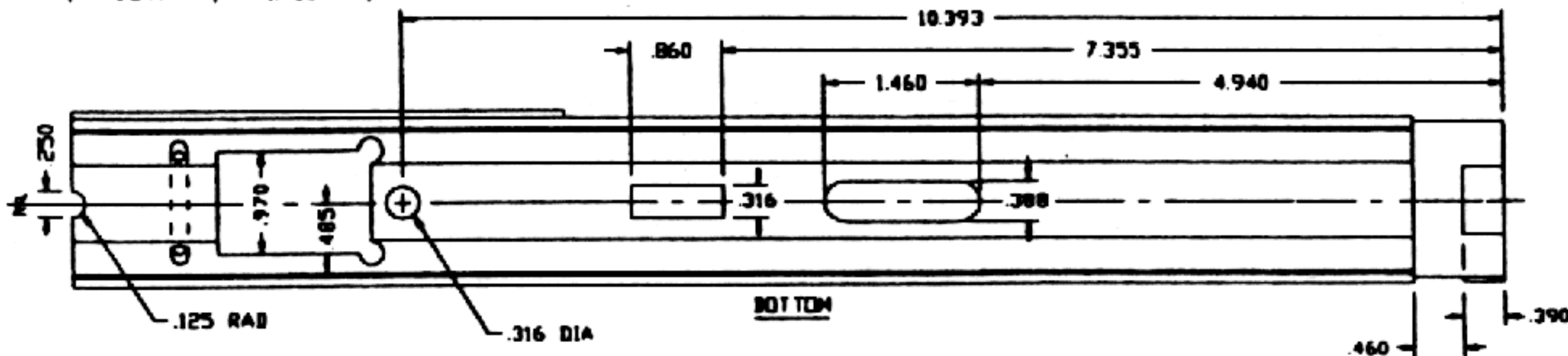
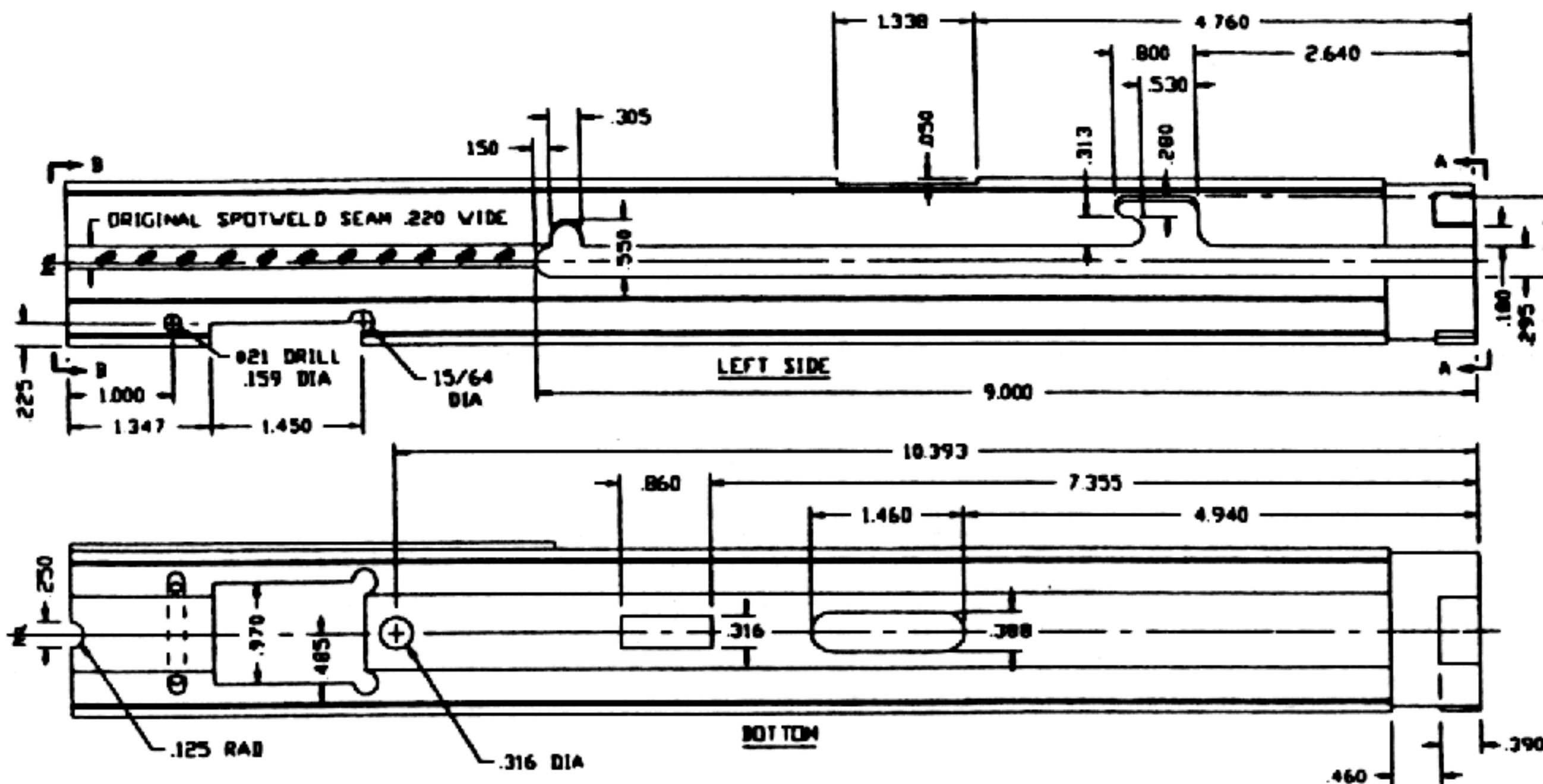
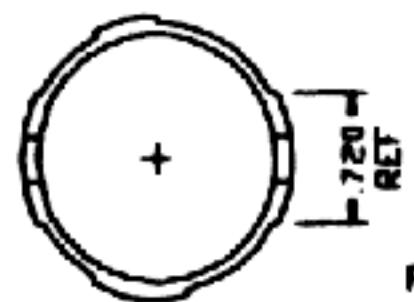
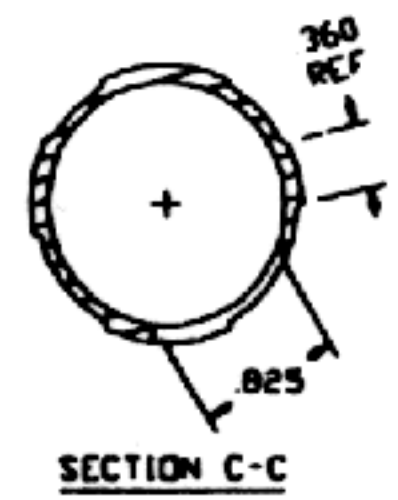
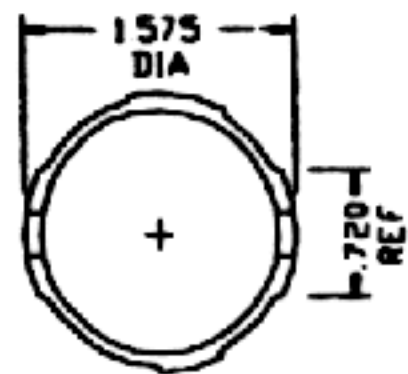
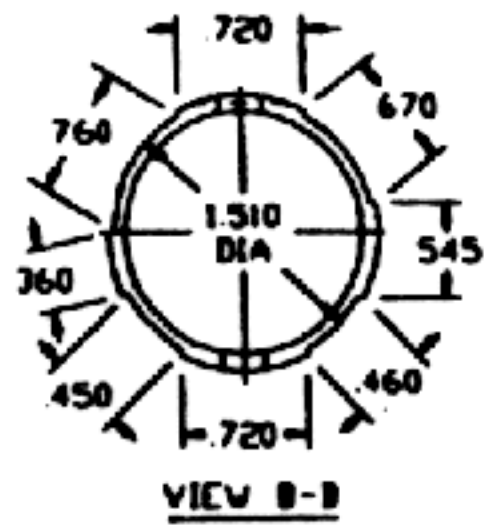
RESTING BAR MATERIAL: 6061-T6 ALUMINUM

- NOTES:
- MATERIAL - 1 5/8 O.D. X 1 3/8 I.D. D.O.M. STEEL TUBE
 - FINISH - BLUE
 - O.D. OF RECEIVER TUBE SHOULD MATCH I.D. OF MAGAZINE HOUSING AND REAR CUP OF TRIGGER FRAME
 - SLOT SIZES AND LOCATIONS ARE AS FOLLOWS
- MAGAZINE HOUSING AREA - A) 5 SLOTS 2.250 LONG ON LEFT SIDE OF RECEIVER AT 20°, 40°, 60°, 80° AND 100°
 B) 2 SLOTS 2.250 LONG ON RIGHT SIDE OF RECEIVER AT 80° AND 100°
- MAIN BODY AREA - C) 4 SLOTS 7.750 LONG RIGHT SIDE OF RECEIVER AT 60°, 80°, 120° AND 140°
 D) 5 SLOTS 2.250 LONG TOP SIDE OF RECEIVER AT 40°, 20°, 0°, 20° AND 40°
 E) 1 SLOT 5.250 LONG TOP SIDE OF RECEIVER AT 60°
 F) 4 SLOTS 3.000 LONG TOP SIDE OF RECEIVER AT 40°, 20°, 0° AND 20°
 G) 2 SLOTS 1.000 LONG TOP OF RECEIVER AT 40° AND 60°
 H) 1 SLOT .500 LONG TOP OF RECEIVER AT 40°
5. SLOTS ARE FORMED WITH A CUTTER .200 WIDE FULL RADIUS X .030 DEEP

RESTRICTED MATERIAL

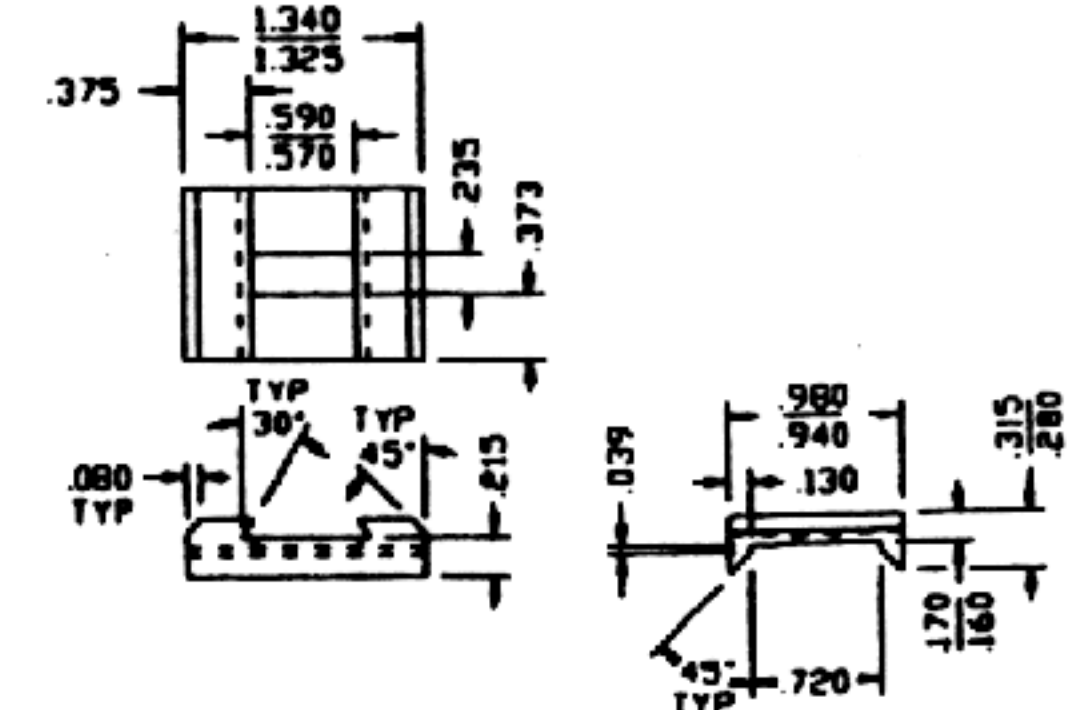
CONFIDENTIAL

SCALE: FULL	MATERIAL: SEE NOTE 1	CRD	TOLERANCES: SEE NOTE 2
PIN	FINISH: SEE NOTE 2	DATE	ANGLE: 20°
TITLE: MP-38 RECEIVER	REV.	NO.	

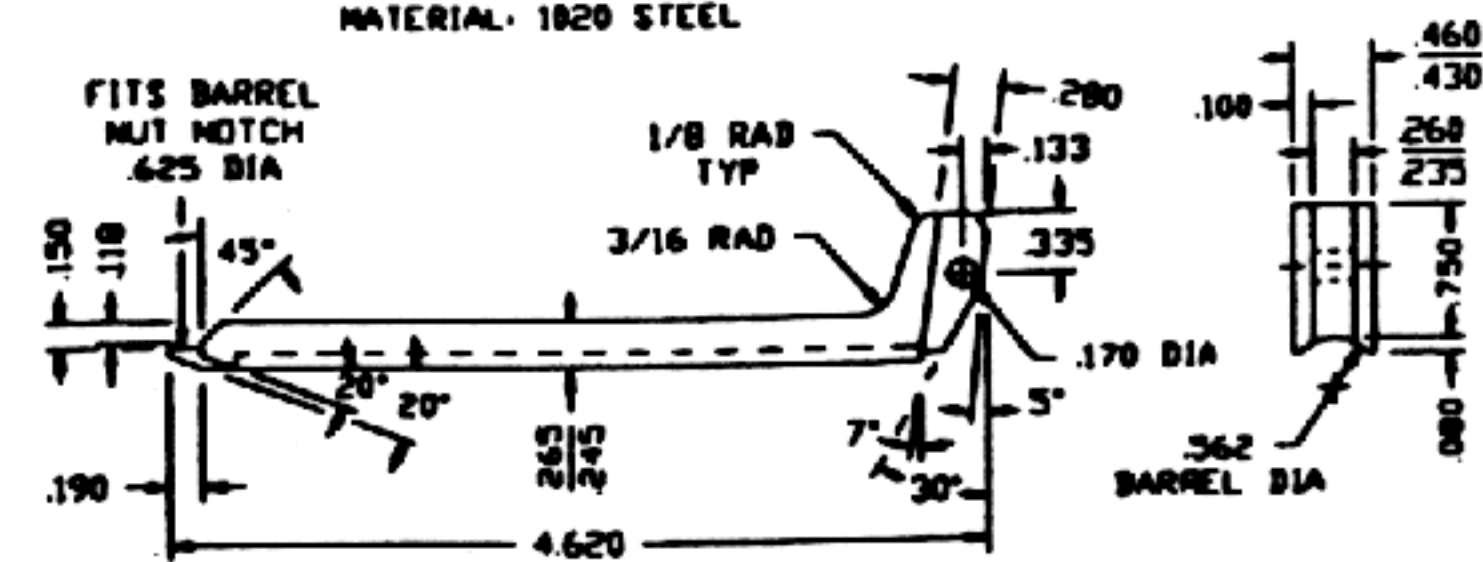


NOTE:
HOLE IN MAGAZINE HOUSING IS THE FACTOR WHEN ASSEMBLED CROSS HOLE CHECKS ABOUT .215 THIS IS THE LAST HOLE TO DRILL AND AT ASSEMBLY.

BARREL BUSHING
MATERIAL: 1020 STEEL



REAR SIGHT BASE
MATERIAL: 1020 STEEL



EARLY GUNS MATERIAL WAS ALUMINUM FEW WERE STAMPED SHEET STEEL LATE GUNS MATERIAL WAS BAKELITE OR SIMILAR
RESTING BAR
MATERIAL: 6061-T6 ALUMINUM

NOTES:
1. MATERIAL - 1 3/8 O.D. X 1 3/8 I.D. DOM. STEEL TUBE
2. FINISH - BLUE

RESTRICTED MATERIAL

CONFIDENTIAL

SCALE	FULL	MATERIAL	SEE NOTE 1	DATE	TOLERANCES
DWG			SEE NOTE 2		±.005 ±.002 ±.001 ±.0005
TITLE	MP-48 RECEIVER			REV.	ANGLES ± 0°