

13		CAP	CAST STEEL	1
12	COMMERCIAL	BEARING		1
11		BEARING HOUSING	CAST STEEL	1
10		DISTANCE PIECE	Fe 410 W	1
9		WATER SLINGER	Fe 410 W	1
8		SLOTTED NUT	CAST STEEL	1
7		GLAND	GUN METAL	1
6	COMMERCIAL	PACKING	FIBRE	AS REQD
5		FRONT BEARING	GUN METAL	1
4		KEY	ST. STEEL	1
3		IMPELLER	BRONZE	1
2		SHAFT	ST. STEEL	1
1		BODY	CAST STEEL	1

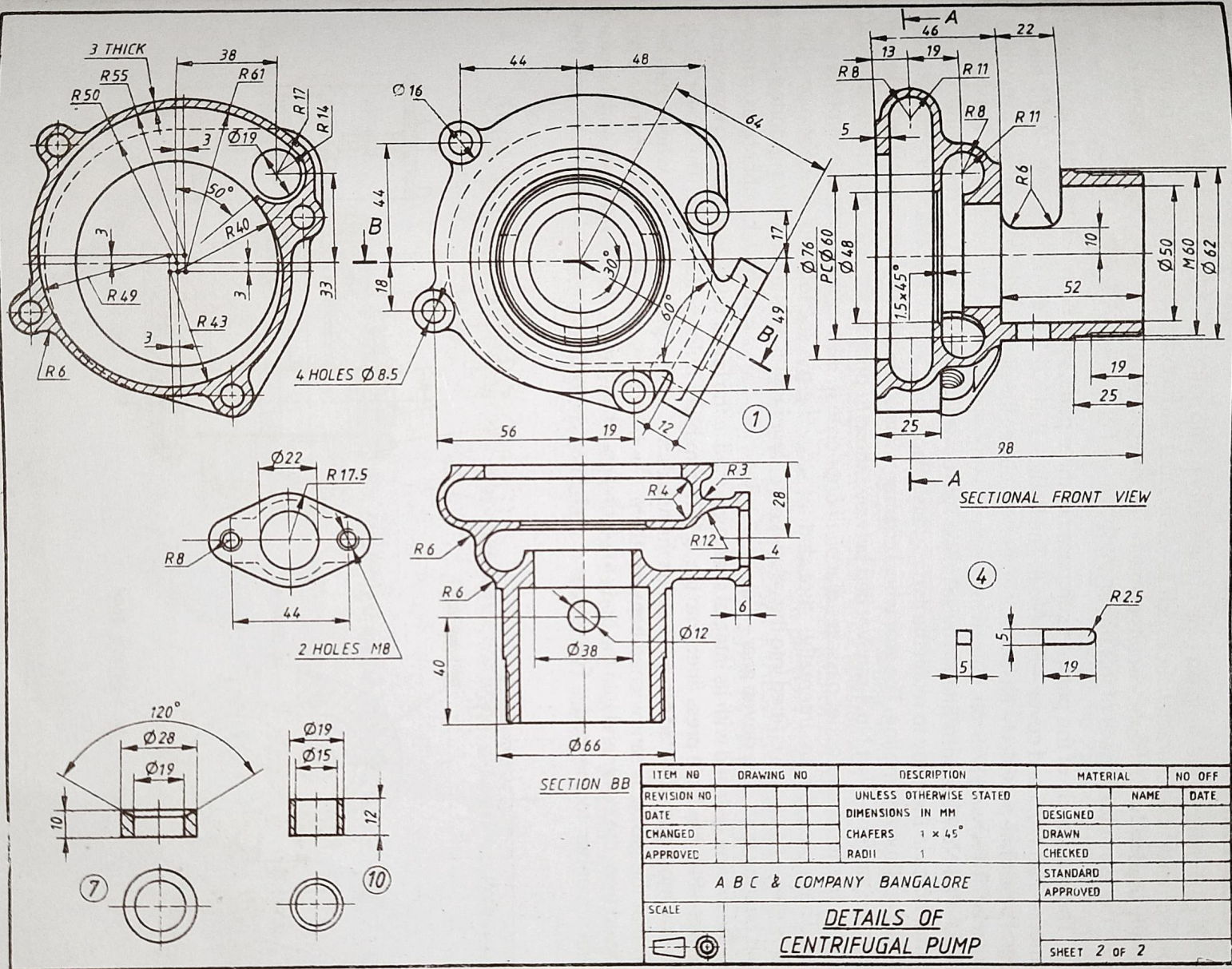
ITEM NO	DRAWING NO	DESCRIPTION	MATERIAL	NO OFF
REVISION NO		UNLESS OTHERWISE STATED	NAME	DATE
DATE		DIMENSIONS IN MM		
CHANGED		CHAMFERS 1 x 45°		
APPROVED		RADII 1		

A B C & COMPANY BANGALORE

SCALE

DETAILS OF CENTRIFUGAL PUMP

Details of a Centrifugal Pump
 Fig. 24



ITEM NO	DRAWING NO	DESCRIPTION	MATERIAL		NO OFF
			NAME	DATE	
REVISION NO		UNLESS OTHERWISE STATED			
DATE		DIMENSIONS IN MM			
CHANGED		CHAFERS 1 x 45°			
APPROVED		RADI 1			
A B C & COMPANY BANGALORE			DESIGNED		
			DRAWN		
			CHECKED		
			STANDARD		
			APPROVED		

SCALE

DETAILS OF CENTRIFUGAL PUMP

SHEET 2 OF 2

Details of a Centrifugal Pump
Fig.24.2-2 of 2