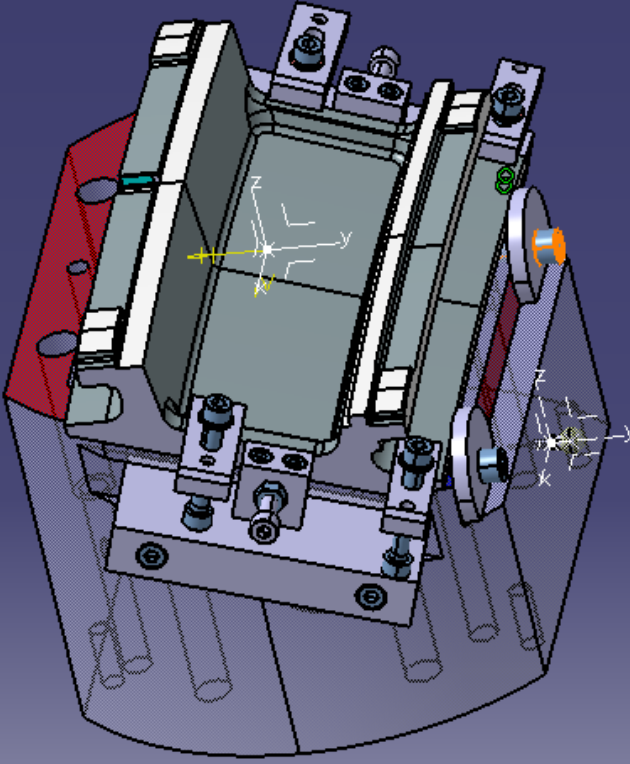


STEP1
PROPERTY SET TO Do not cut in sectio views in Assembly

입력하여 주십시오.

- S2-RS3-F02
- DD9ETM06008_D-TURBINE 3RD STAGE RINGSEGMENT MACHINING.2 (DD9ETM06008_D-TURBINE 3RD STAGE RINGSEGMENT MACHINING.1)
- S2-RS3-F02-001 (LOCATOR BODY)
- SC-RS3-F02-005 (STOPPER RING)
- ISO 4762 SCREW M10x30 STEEL HEXAGON SOCKET HEAD CAP (ISO 4762 SCREW M10x30 STEEL HEXAGON SOCKET HEAD CAP.1)
- TOOL BALL_6.35 (TOOL BALL_6.35.1)
- SUB 2L (SUB 2L.1)
- SUB 2R (SUB 2R.1)
- MM48-S01-1 (MM48-S01-1.1)
- ISO 4762 SCREW M10x30 STEEL HEXAGON SOCKET HEAD CAP (ISO 4762 SCREW M10x30 STEEL HEXAGON SOCKET HEAD CAP.2)
- Constraints
- Applications



Properties

Current selection : ISO 4762 SCREW M10x30 STEEL HEXAGON S

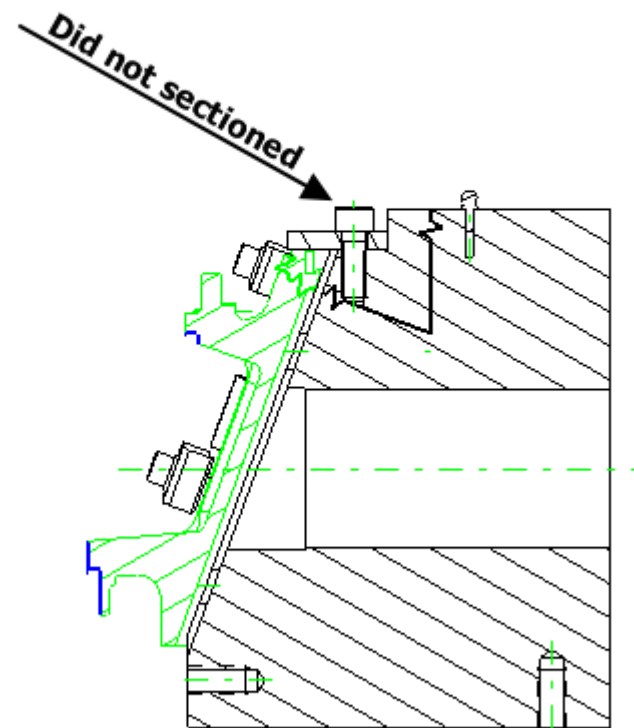
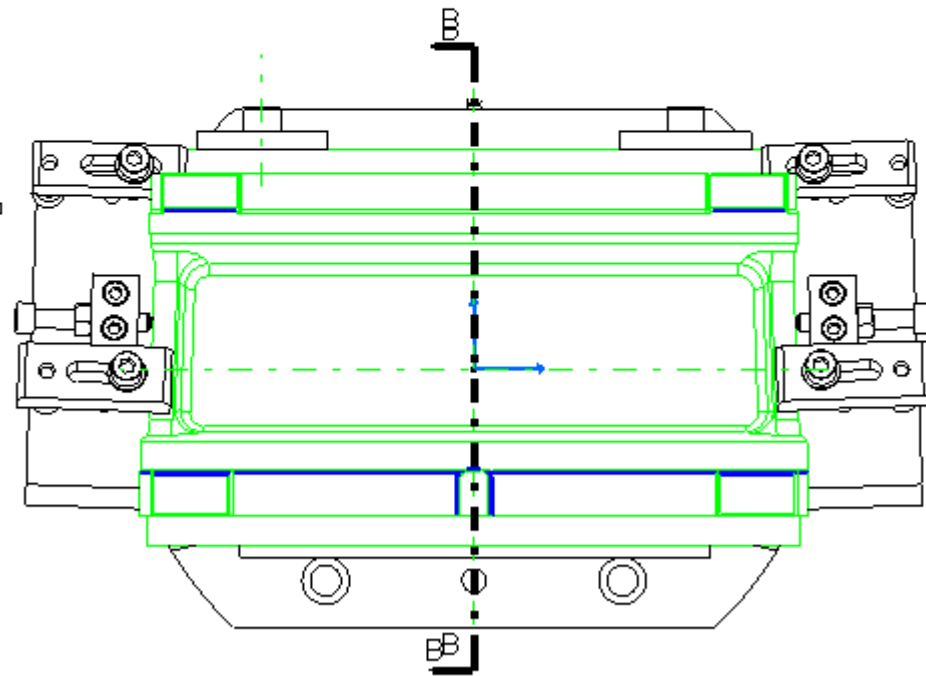
Product | Graphic | Mechanical | Drafting

Drafting properties

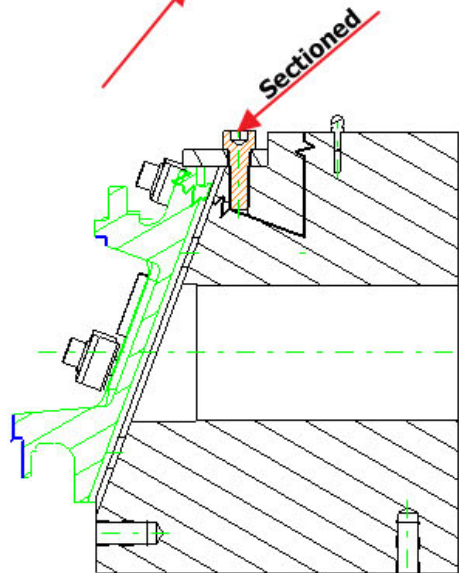
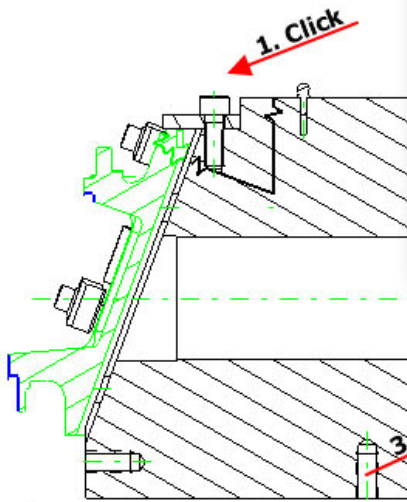
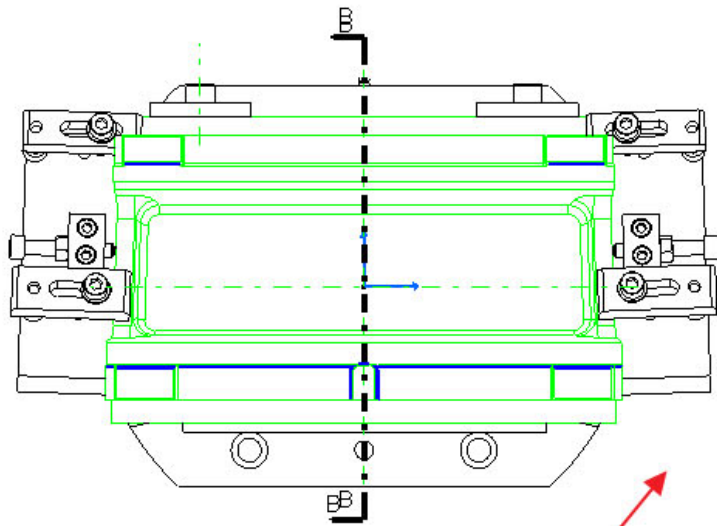
- Do not cut in section views
- Do not use when projecting
- Represented with hidden lines

STEP2

- Create main view
- Create section view
- Create Breakout view



How to set to display a section.



Characteristics

Element	Cut	Use	Hidden Lines	Color	Line Type	Thickness	Visibility
DD9ETM06008...	yes	yes	no	Green	1	1	shown
ISO 4762 SCRE...	no	yes	no	Black	1	1	shown

2. Click

Edit

Reset

OK Apply Close

Editor

Cut in section views Represented with hidden lines

Use when projecting Shown

Graphic Properties

Color: [Black] Line Type: 1: C Thickness: []

3. Set to Check

OK Cancel

Characteristics

Element	Cut	Use	Hidden Lines	Color	Line Type	Thickness	Visibility
DD9ETM06008...	yes	yes	no	Green	1	1	shown
ISO 4762 SCRE...	yes	yes	no	Black	1	1	shown

Changed to Yes

Edit

Reset

OK Apply Close