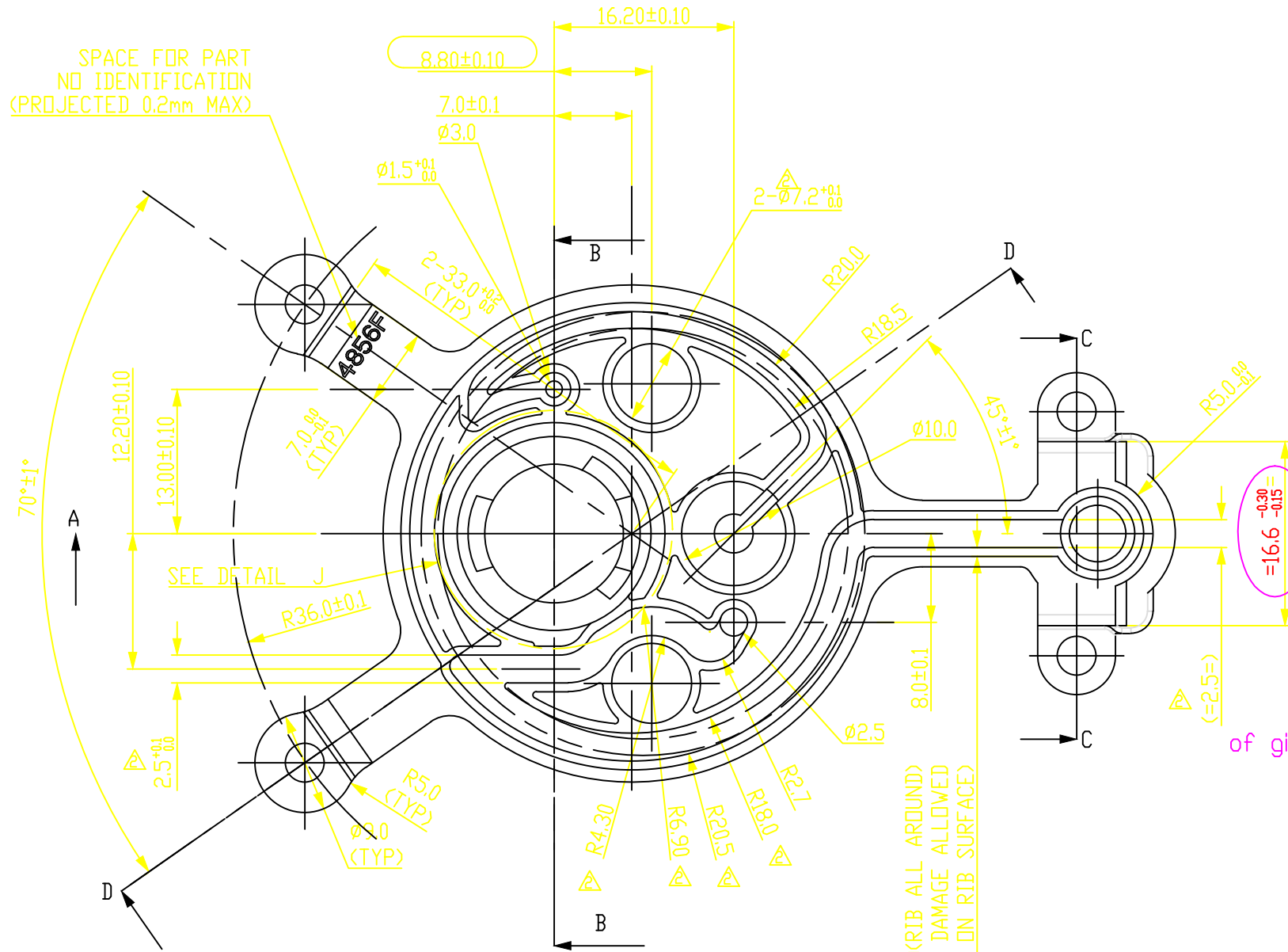


SPACE FOR PART NO IDENTIFICATION
(PROJECTED 0.2mm MAX)



How to control this dimension
And why giving both value in (-)
what is the purpose of giving this type tolerance