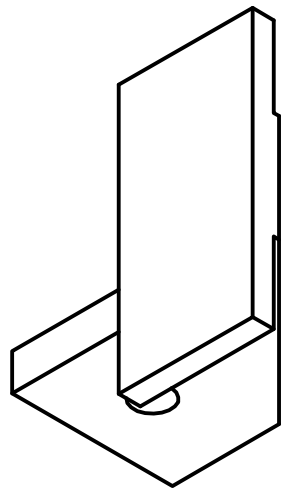
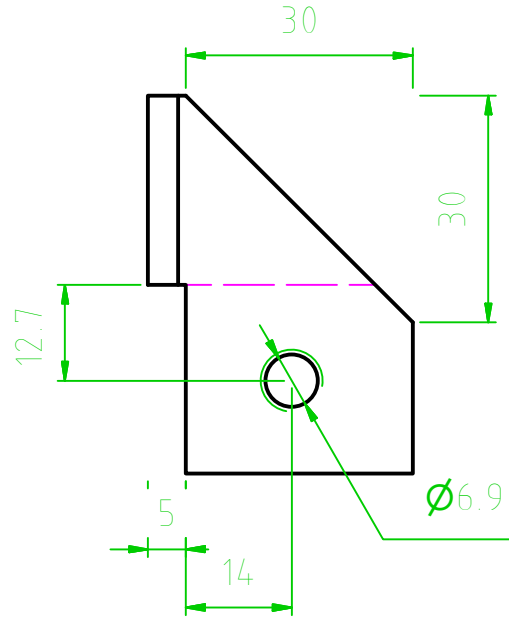
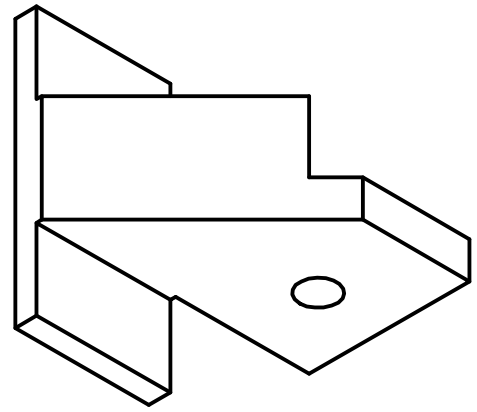
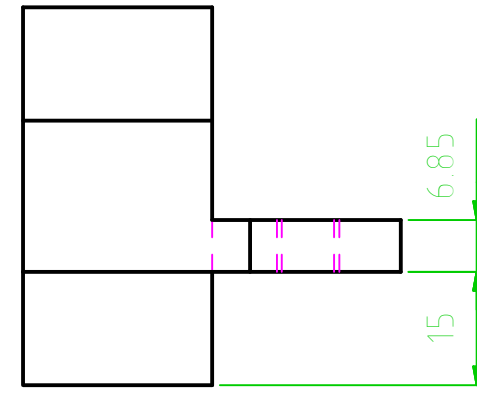
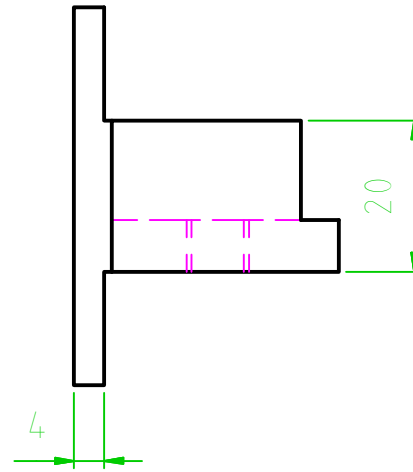
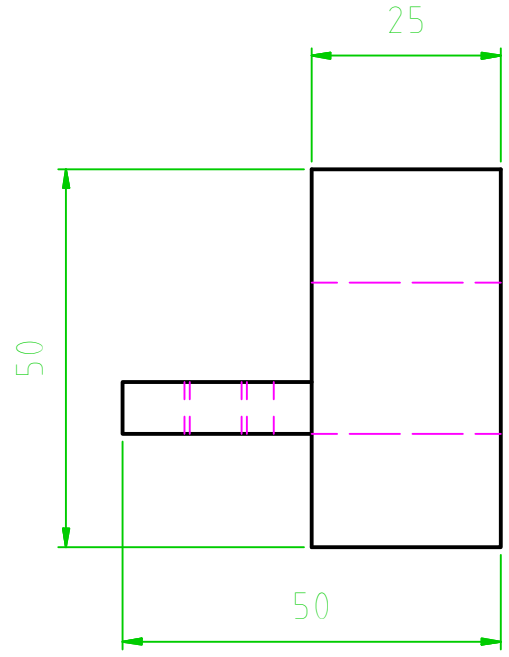
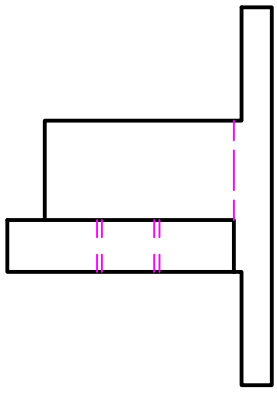
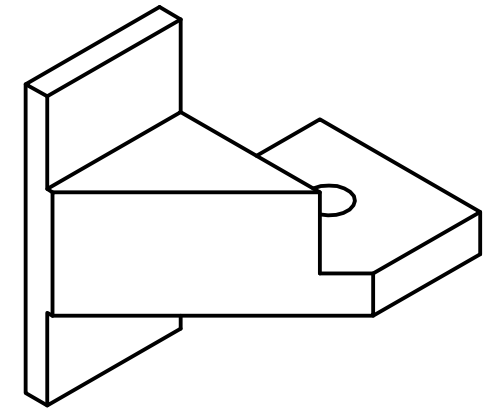
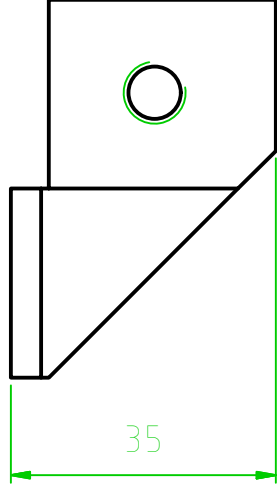
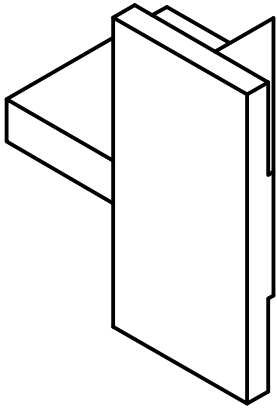


1 2 3 4 5 6 7 8

A B C D E F

A B C D E F



| | | | |
|-------------|-----------|-------|-------|
| FILE NAME | FSCM NO | SHEET | SCALE |
| SIZE | Vice Gate | | |
| DRAWN | | | |
| CHECK | | | |
| APPR. | | | |
| ISSUED | | | |
| REV | | | |
| CONTRACT NO | DWG NO | - | |