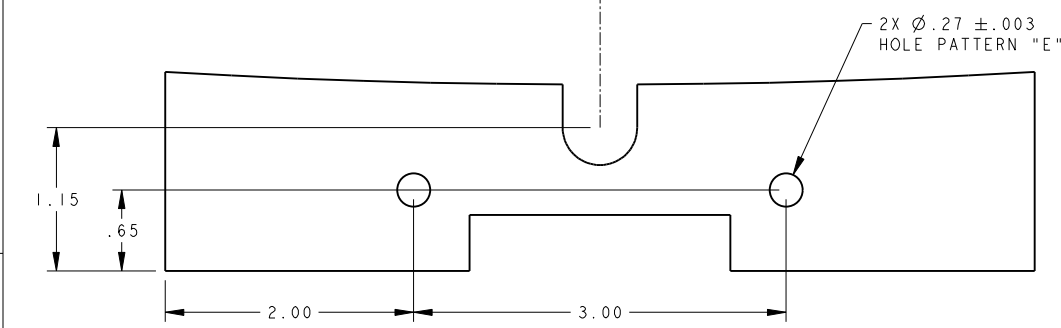
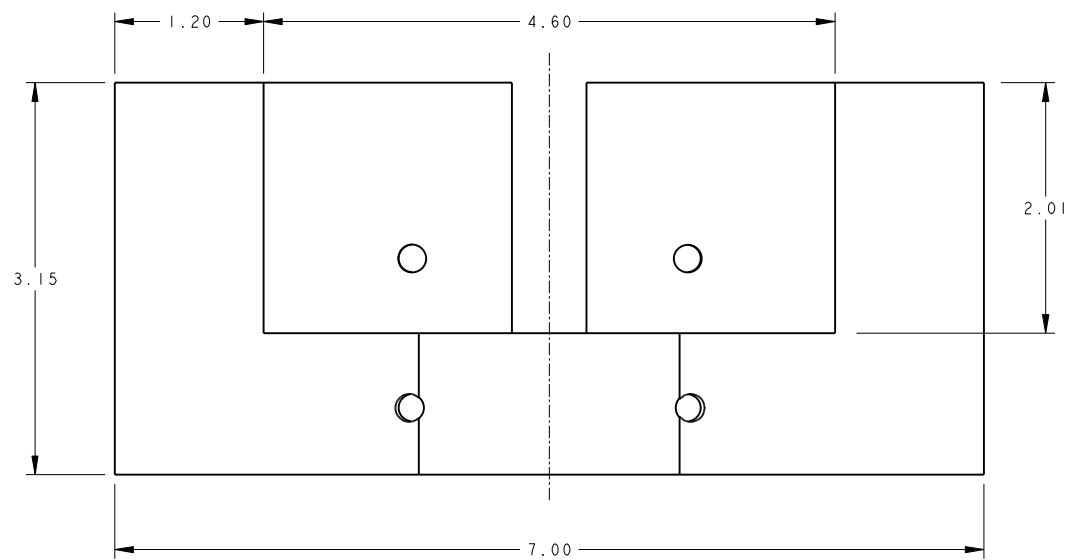
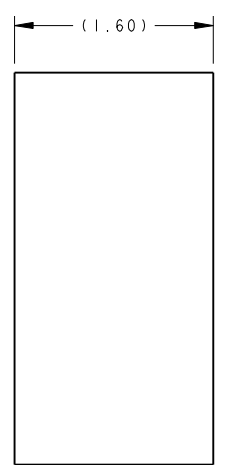
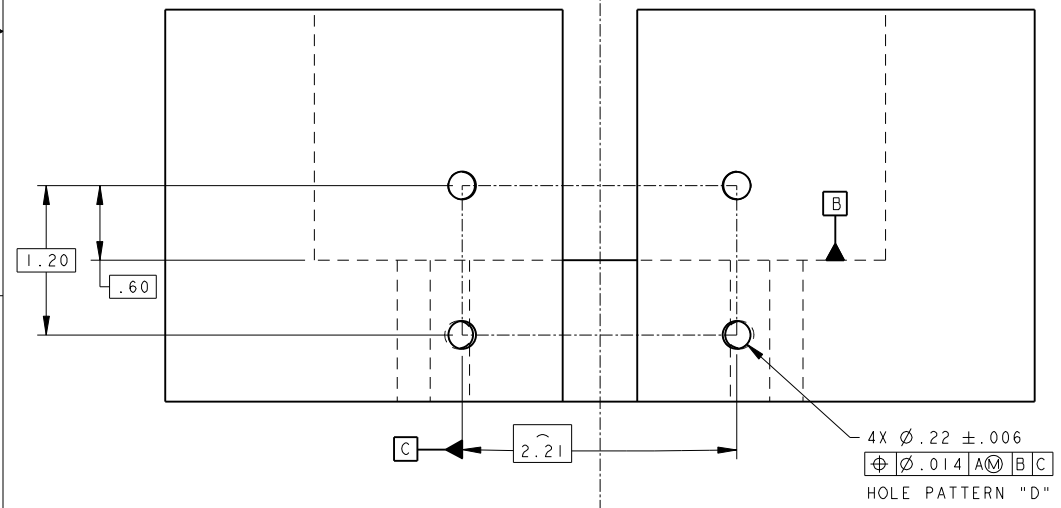
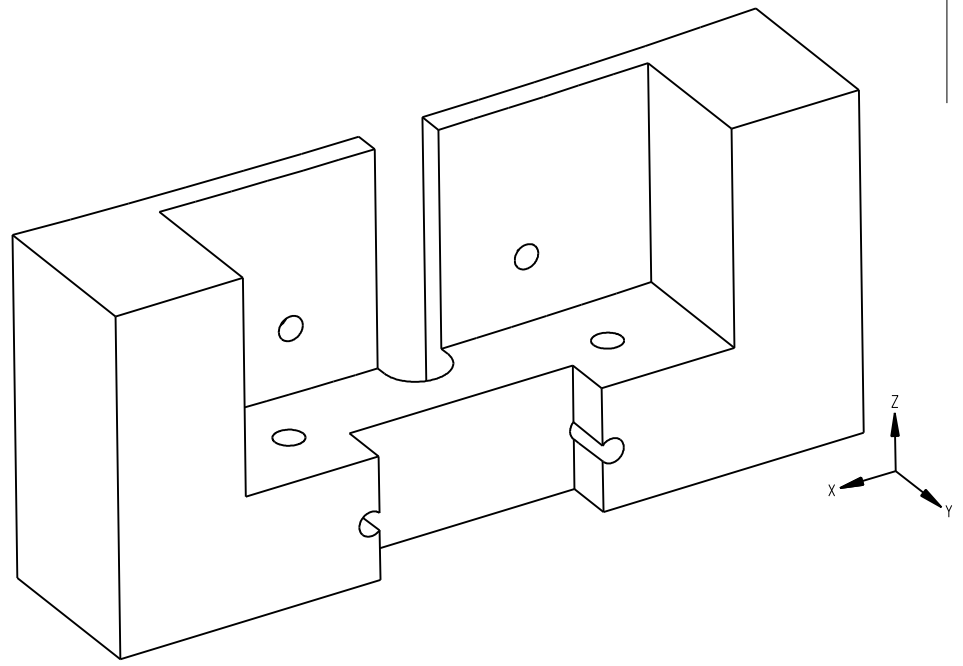
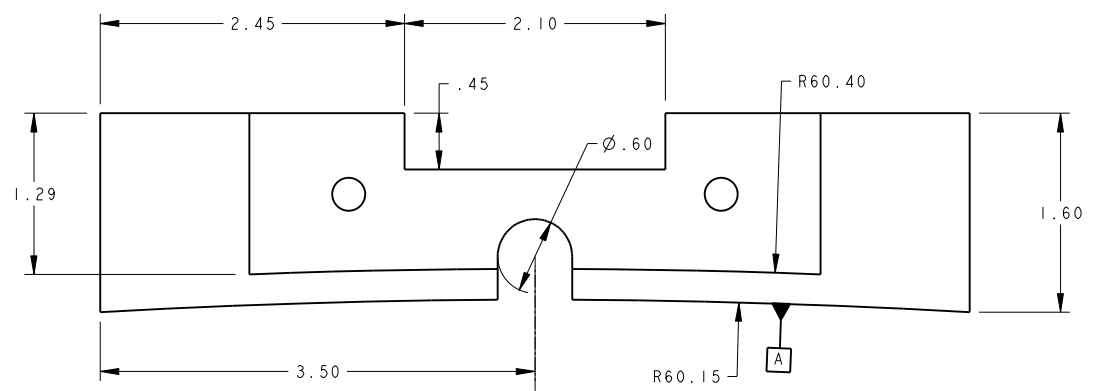


REVISION HISTORY		
REV	DESCRIPTION	DATE
-	GRABCAD DESIGN CHALLENGE	06/2016



Note: Dimensions are in inches

Cleared for Open Publication, August 4, 2016, 16-S-2436

<small>UNLESS OTHERWISE SPECIFIED: DIMENSIONS ARE IN INCHES</small> TOLERANCES .X .XX .XXX ±.1 ±.03 ±.015 ANGULAR ±0° 30° ALL MACHINED SURFACES ✓ FOR STANDARD MANUFACTURING REQUIREMENT SEE 0-70902 ALL SHEETS OF THIS DRAWING ARE IDENTIFIED TO THE SAME REVISION SHOWN ON SHEET 1	APPROVED: SEE ELECTRONIC APPROVALS THIRD ANGLE PROJECTION CONTRACT NO. SEE SEPARATE PARTS LIST	ULA Grab CAD Design Challenge SIZE: CAGE CODE 430Y2 SCALE: 2/1 SHEET 1 OF 1
	PART I A	