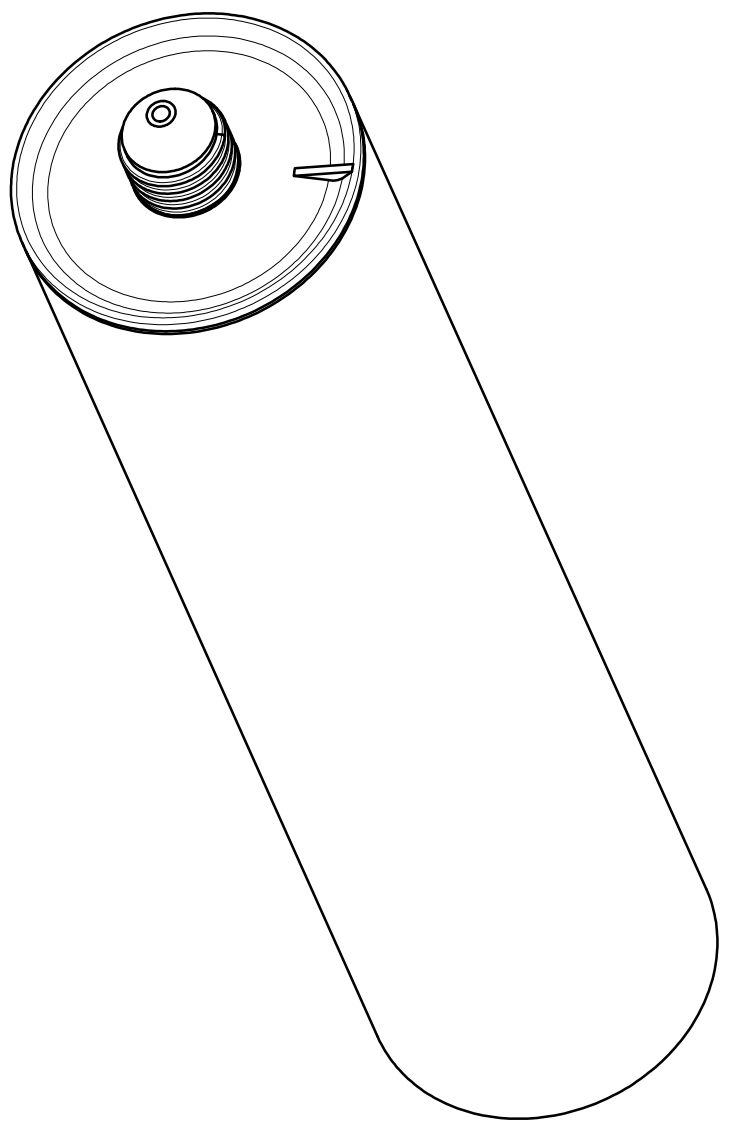
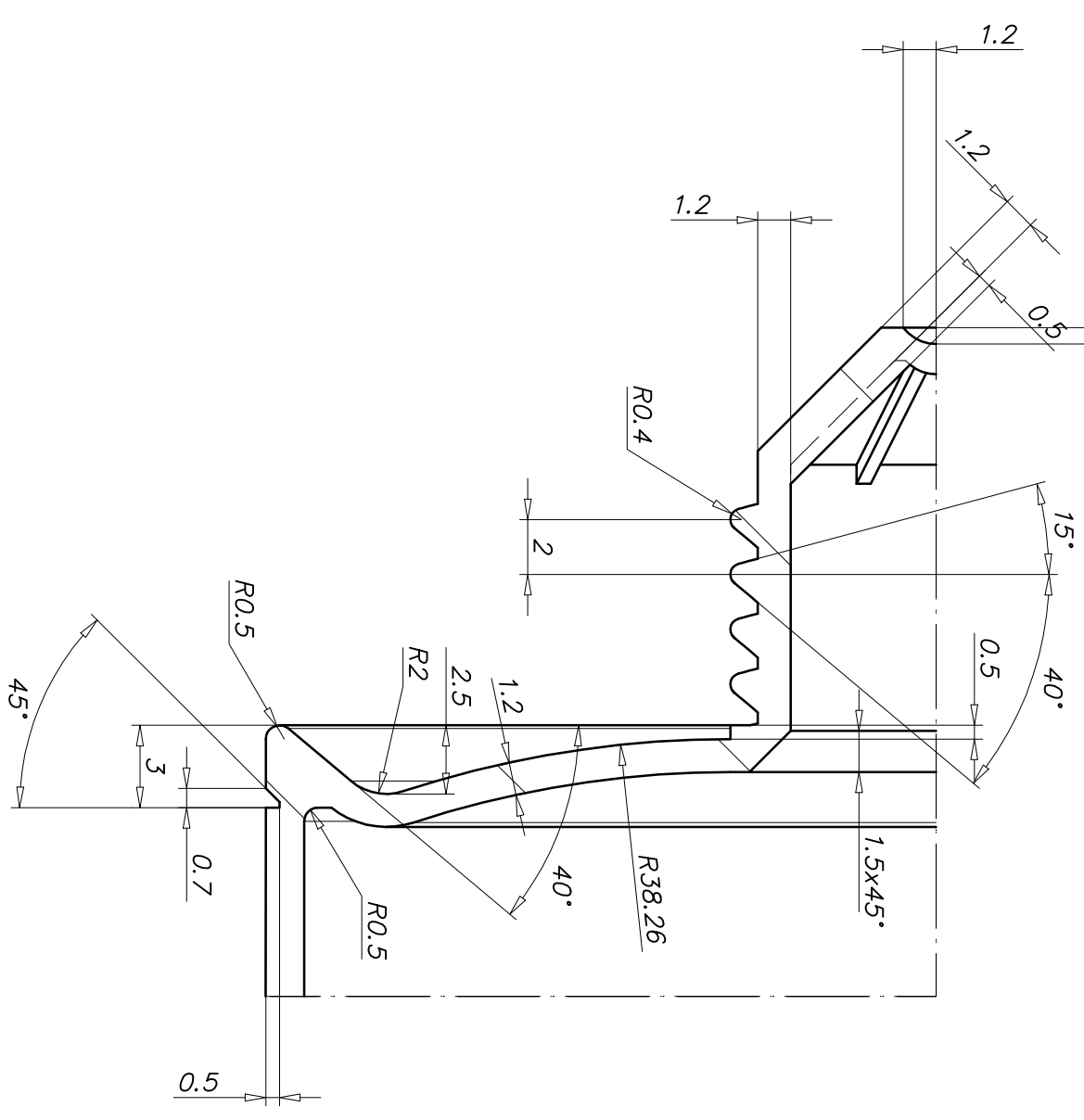


SCALE  $\overset{A}{\Delta}$  4 : 1



Pos.	Size: A3	Material: HD-PE (Bassel GC 7260)	Shrinkage 1.5%
Drawn: Behmanis	Drawing No.: E 310L	Appr.-Date: 11.01.2011	Amount: -
Name: Tube	3D-file name: Tube	Excerpt from ISO 2768-m	Ra 6.3
		Sheet 1	Scale: 1:1
		Sheet 1	Amount: 1

